

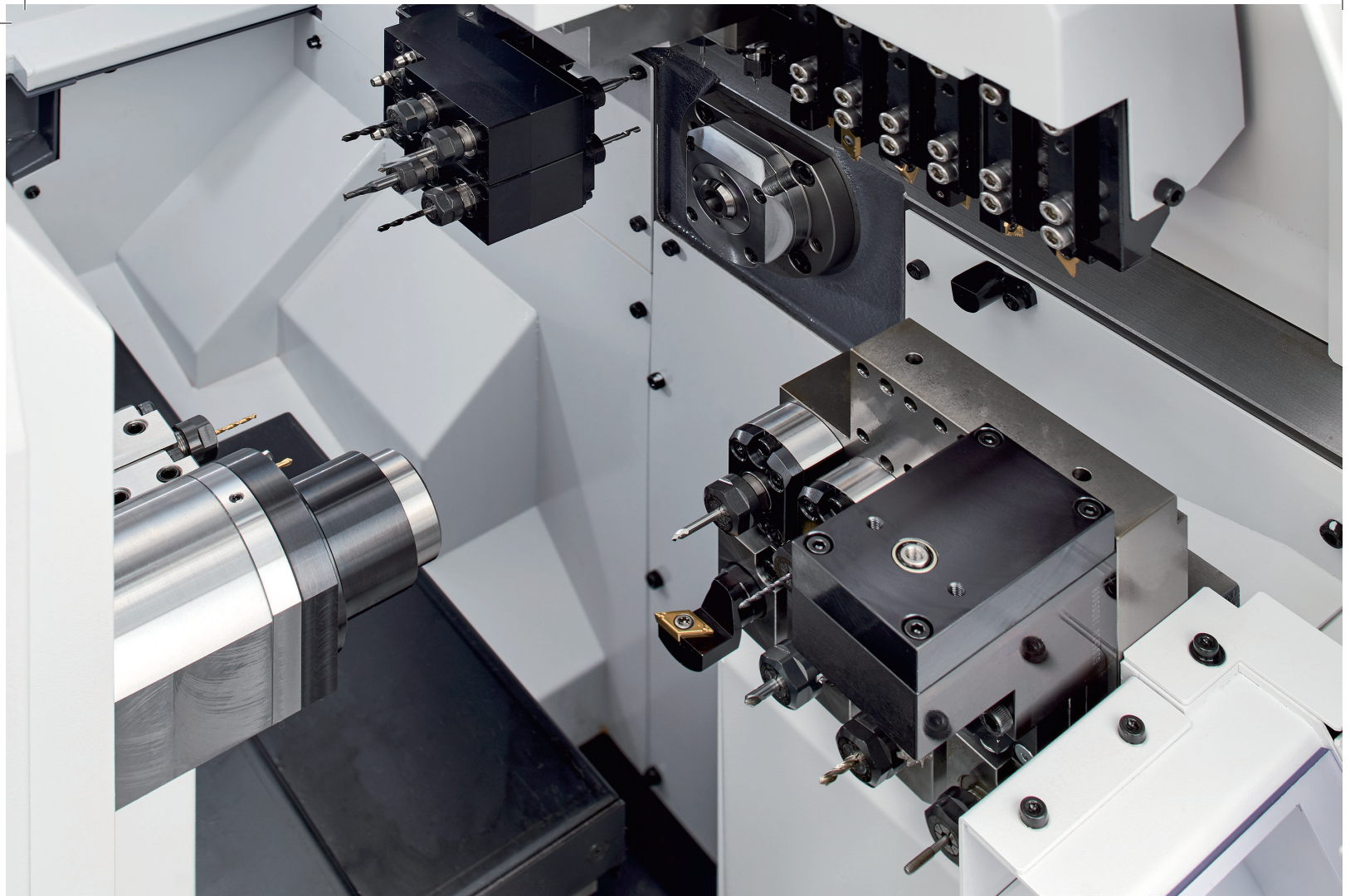
CITIZEN

Cincom

L12-X

Sliding Headstock Type CNC Automatic Lathe





L12-X

Adoption of a modular tooling system Addition of Y2 axis for even higher functionality

A modular tooling system has been adopted for the gang and back tool posts. The wide variety of tooling layouts available, such as "adjustable angle end-face spindle" allows for slanted hole drilling that enable you to perform various kinds of machining. Equipping of a Y2 axis to the back spindle strengthens back machining.

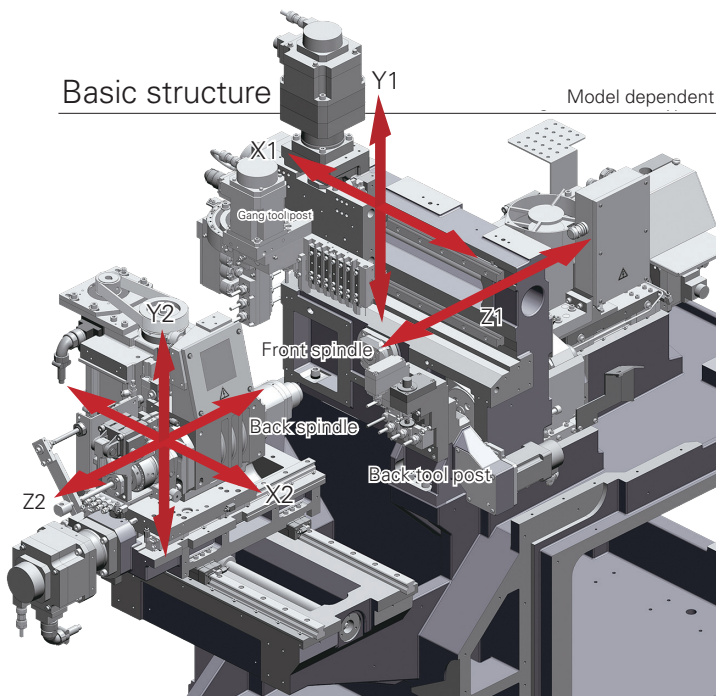
This increases the degree of freedom for process allocation, and increases the maximum number of tools that can be installed to 38. Additionally, adoption of a built-in motor for the back spindle drive enables a maximum speed of $12,000 \text{ min}^{-1}$. This reduces the acceleration/deceleration time to improve productivity.

The machine is capable to handle up to 16 mm through expansion.

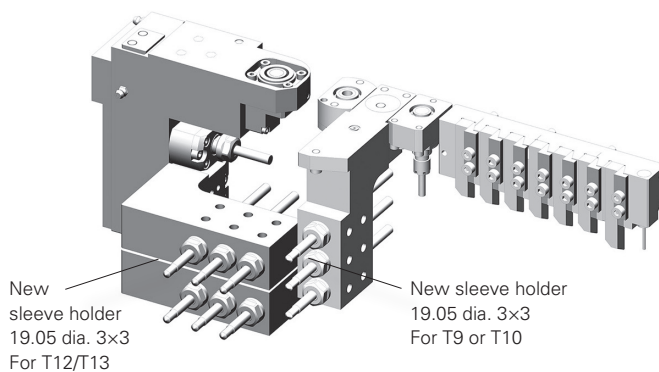
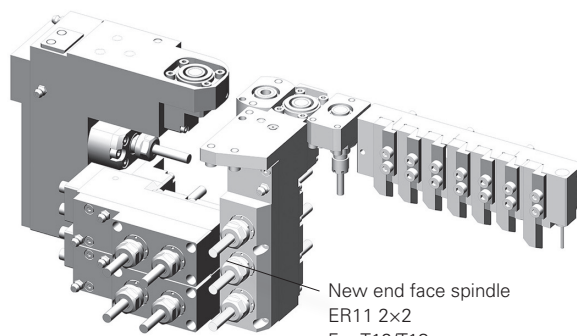
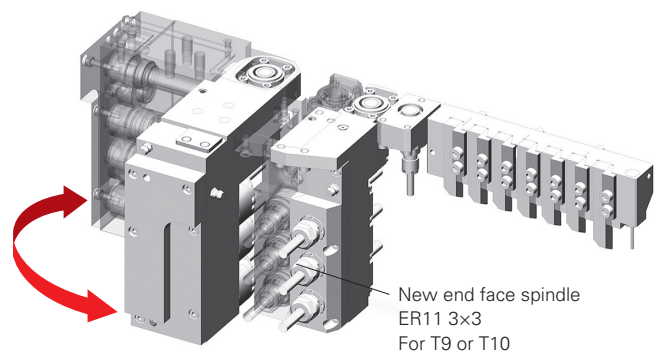
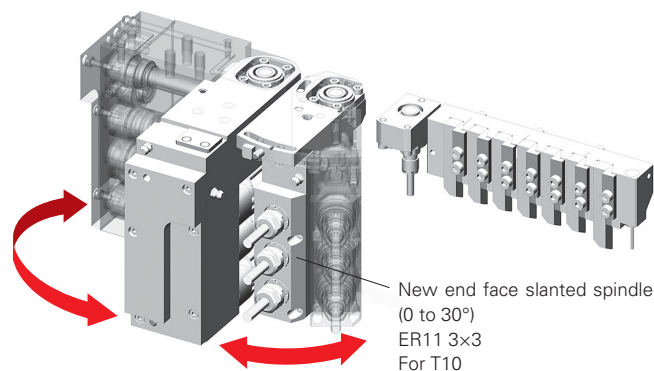
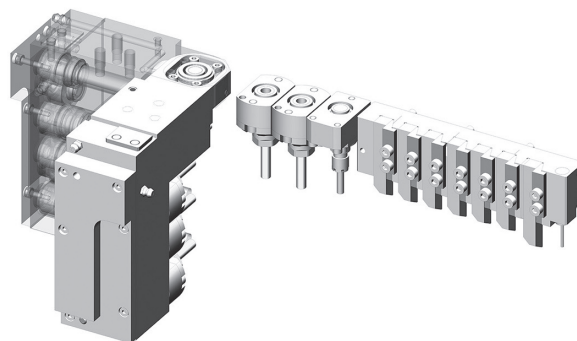


Basic structure

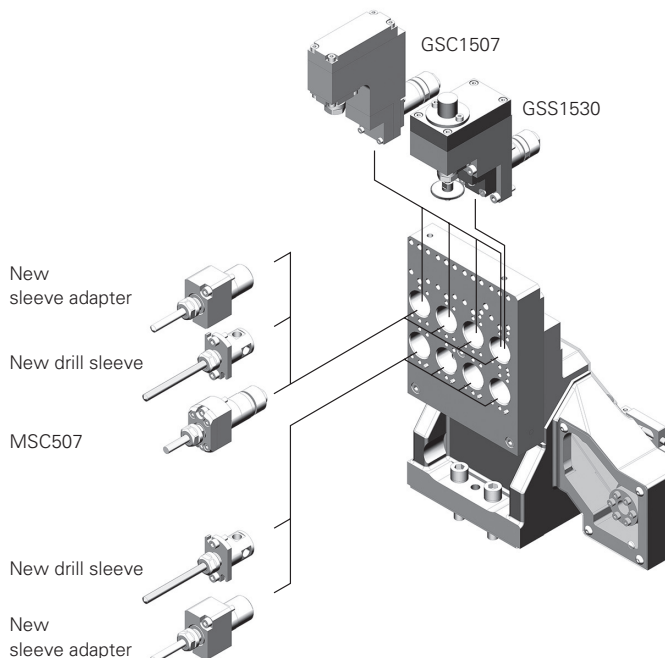
Model dependent



Gang tool post tooling variation



Back tool post tooling variation



LFV



LFV* (low-frequency vibration) cutting is a technology for cutting in which each X/Z servo axis is vibrated in the cutting direction and synchronized with the spindle speed. This reduces various types of problems such as cutting chips being caught up in components, workpieces or cutting tools, and enables small-diameter deep hole drilling and machining of materials that are difficult to cut.

Model type	Front X1, Z1	Back X2, Z2	LFV Mode 1	LFV Mode 2
X	○ Back performs standard cutting	○ Front performs standard cutting	○	○

1. LFV machining cannot be performed with the Y axis.
2. Up to one pair (= two axes) can be operated simultaneously as LFV machining.
3. LFV machining using rotary tools requires the "LFV function" and "Rotary tool per rotation feedrate" options.

* LFV is a registered trademark of Citizen Watch Co., Japan.

Machine specification

Item	L12-X
	L12 - 2M10
Max. machining diameter (D)	12 mm dia. / 16mm dia. (OPT)
Max. machining length (L)	135 mm/1 chucking (GB), 30 mm (GBL)
Max. front drilling diameter	8 mm dia.
Max. tapping diameter for the front spindle	M6
Spindle through-hole diameter	20 mm dia.
Main spindle speed	Max. 15,000 min ⁻¹ (GB), Max. 12,000 min ⁻¹ (GBL)
Max. chuck diameter for the back spindle	12 mm dia.
Max. protrusion length	80 mm
Max. protrusion length of the back spindle workpiece	30 mm
Max. drilling diameter for the back spindle	8 mm dia.
Max. tapping diameter for the back spindle	M6
Back spindle speed	Max. 12,000 min ⁻¹
Gang rotary tools	
Max. drilling diameter	5 mm dia.
Max. tapping diameter	M4
Main spindle speed	Max. 10,000 min ⁻¹
Back rotary tools ^{OP}	
Max. drilling diameter	5 mm dia.
Max. tapping diameter	M4
Main spindle speed	Max. 9,000 min ⁻¹
Number of tools to be mounted	38
Gang tool post	7
Gang rotary tools	6 to 17
Front drills	Standard: 2, Max.: 11
Back drills	8(17)
Tool size	
Turning tool	∅ 10 mm, ∅ 12 mm ^{OPT}
Sleeve	19.05 mm dia.
Chuck and bushing	
Main spindle collet chuck	FC096-M
Guide bushings	WFG541-M
Back spindle collet chuck	FC096-M-K
Rapid feed rate	
All axes	35 m / min
Motors	
Front spindle drive	2.2 / 3.7 kW
Gang tool post rotary tool drive	0.75 kW
Back spindle drive	0.75 / 1.5 kW
Back tool post rotary tool drive ^{OP}	0.5 kW
Coolant oil	0.25 kW
Centre height	1,050 mm
Rated power consumption	8 KVA
Full-load current	22 A
Main breaker capacity	40 A
Power supply voltage	AC200V ± 10%
Pneumatic unit: Required pressure and required flowrate	0.5 MPa at 44 NL/min (Power on), 55 NL/min. (Stationary), 150 NL/min (Air blower)
Machine main unit dimensions	W 1,840 × D 970 × H 1,710 mm
Weight	2,200 kg

Main standard accessories

Main spindle chucking unit	Back spindle chucking unit
Gang rotary tool driving unit	Coolant oil supply unit (with level detector)
Lubricating oil supply unit (with level detector)	Air-driven knock-out device for back machining
Machine relocation detector	Door lock
Product chute	Automatic fire extinguishing unit
Lighting	

Special accessories

Rotary guide bushing unit	Motor-driven knock-out device for back machining
Cut-off tool breakage detector	Workpiece conveyor
Knock-out jig for through-hole workpiece	Chip conveyor
Scratchproof chute part	Medium-pressure coolant unit
Workpiece separator (For front)	Signal lamp
Coolant flow rate detector	3-colour signal tower
Machine internal lighting equipment	LFV
Back rotary tool driving unit	

Standard NC functions

CINCOM SYSTEM M70LPC-VL (Mitsubishi Electric)	8.4 inch colour liquid crystal display (LCD)
Program storage capacity: 40 m (Approx. 16 KB)	Constant peripheral speed control function
Tool offset pairs: 40	Automatic power-off function
Product counter indication (up to 8 digits)	Spindle 1° indexing function
Operating time display function	On-machine program check function
Spindle speed change detector	Nose radius compensation
Chamfering/Corner R function	Spindle speed change detector
Eco display	Obstruction check
Machine operation information display	

Special NC functions

Variable lead thread cutting	Tool offset pairs: 80
Arc threading function	Tool life management I
Geometric command function	Tool life management II
Spindle synchronised function	Program storage capacity: 600 m (Approx. 240 KB)
Spindle C-axis function	External memory program driving
Milling interpolation function	Network I/O function
Back spindle 1° indexing function	Submicron commands
Back spindle C-axis function	User macros
Back spindle chasing function	Helical interpolation function
Canned cycle for drilling	Inclined helical interpolation function
Synchronised tapping function	Hob function
High-speed synchronised tapping function	Polygon function
Synchronised tapping phase adjustment function	Inch command
Differential speed rotary tool function	Sub inch command
Optional block skip (9 sets)	Back machining program skip function
Canned cycle for composite turning	

CITIZEN

CITIZEN MACHINERY CO., LTD.

Japan	Citizen Machinery Co Ltd 4017-6 Miyota, Miyota-machi, Kitasaku-gun, Nagano-ken, 389-0206, Japan	Tel: 81-267-32-5901	Fax: 81-267-32-5908
Europe - Germany	Citizen Machinery Europe GmbH Mettinger Strasse 11, D-73728 Esslingen, Germany	Tel: 49-711-3906-100	Fax: 49-711-3906-106
Europe - UK	Citizen Machinery UK Ltd 1 Park Avenue, Bushey, WD23 2DA, UK	Tel: 44-1923-691500	Fax: 44-1923-691599

www.citizenmachinery.co.uk

All specifications are subject to change without prior notice. This product is an export control item subject to the foreign exchange and foreign trade act. Thus, before exporting this product, or taking it overseas, contact your CITIZEN machine dealer. Please inform your CITIZEN machine dealer in advance of your intention to re-sell, export or relocate this product. For the avoidance of doubt products includes whole or part, replica or copy, technologies and software. In the event of export, proof of approval to export by government or regulatory authority must be evidenced to CITIZEN. You can operate the machines after the confirmation of CITIZEN. CITIZEN is a registered trademark of Citizen Holdings Co., Japan.